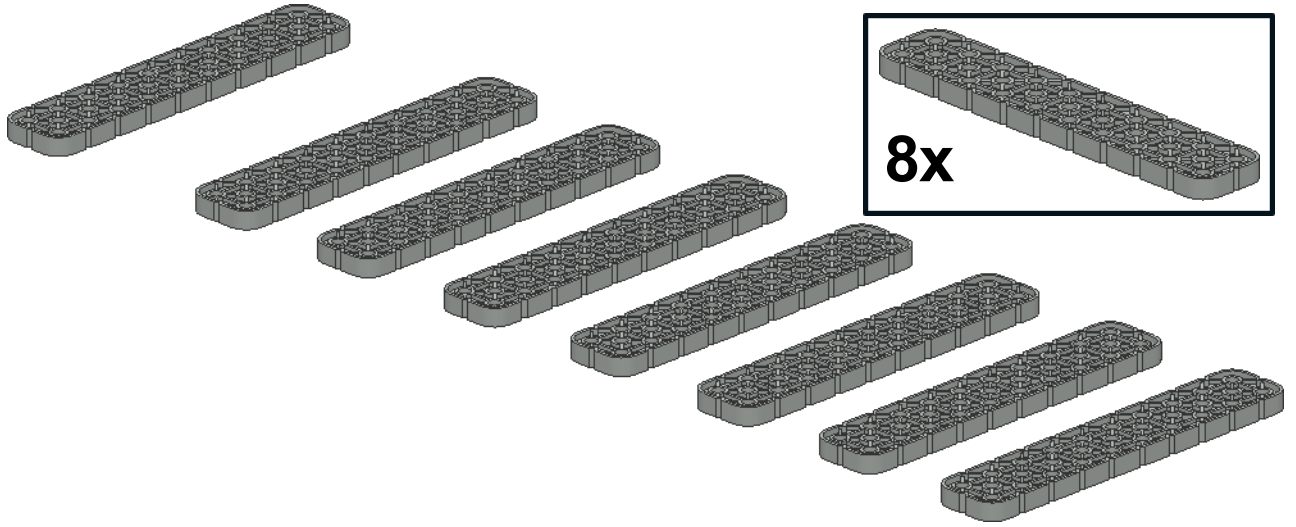
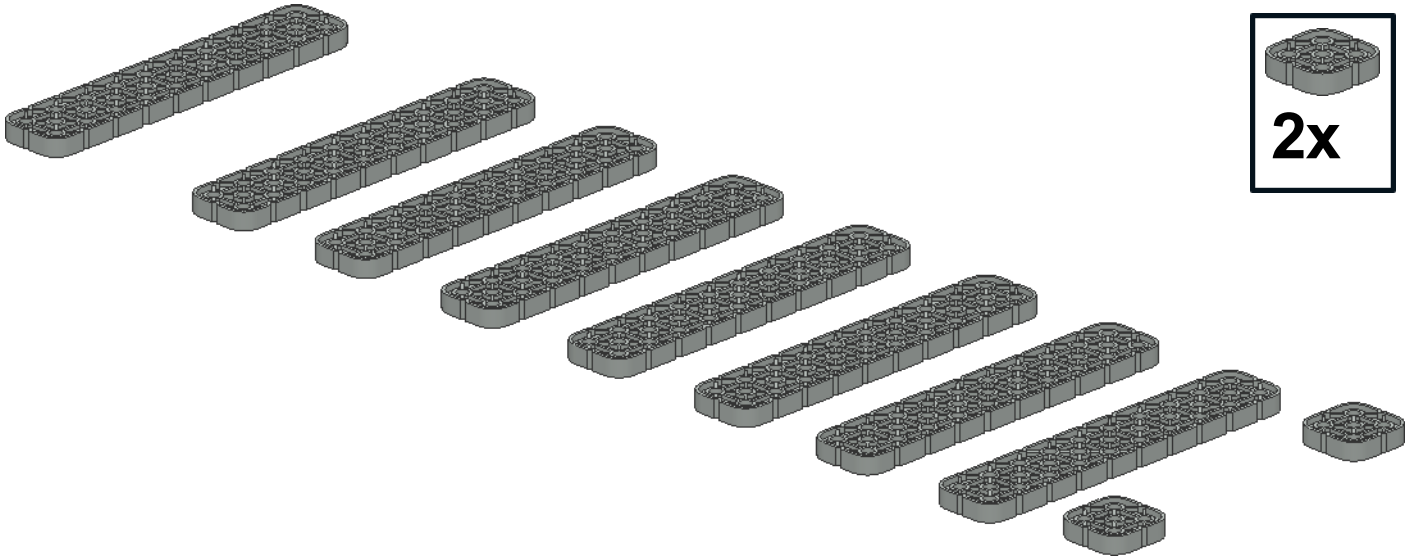


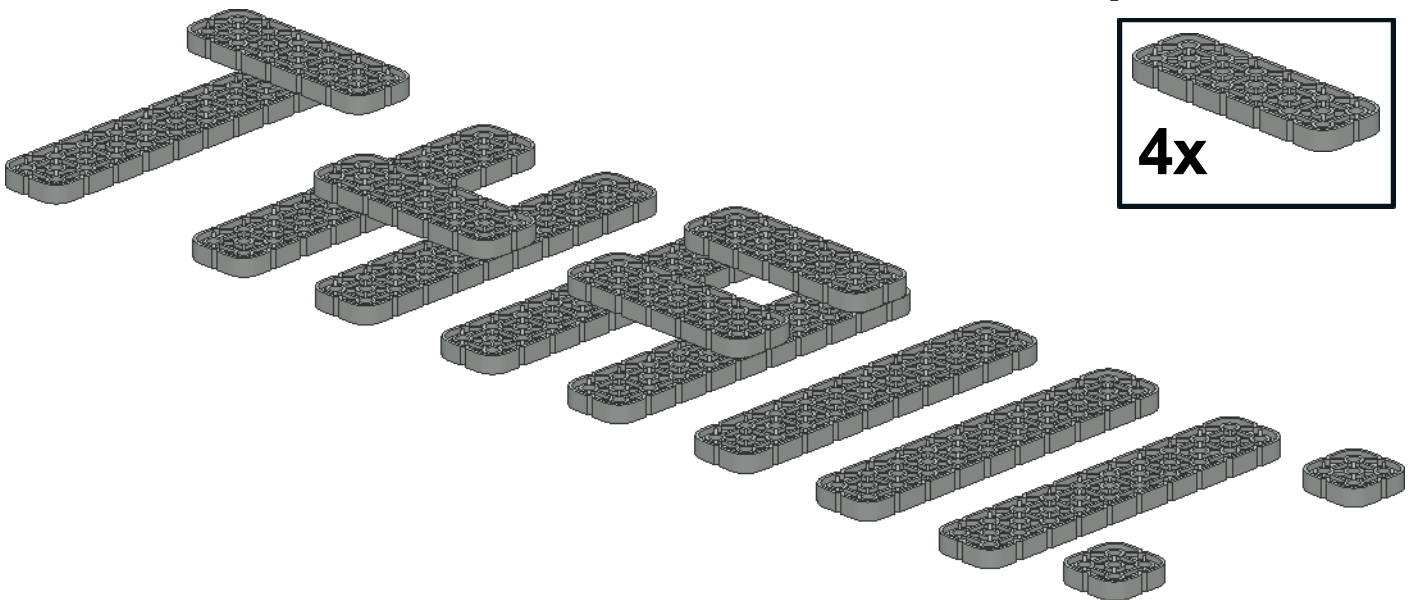
1



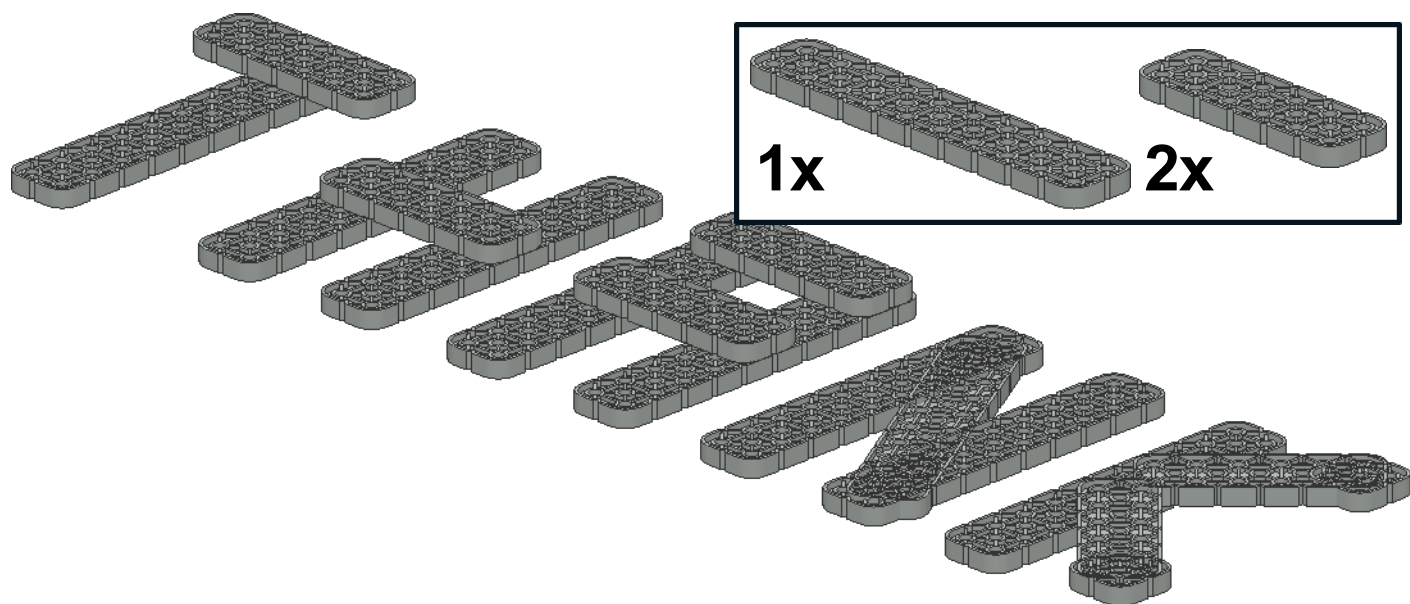
2



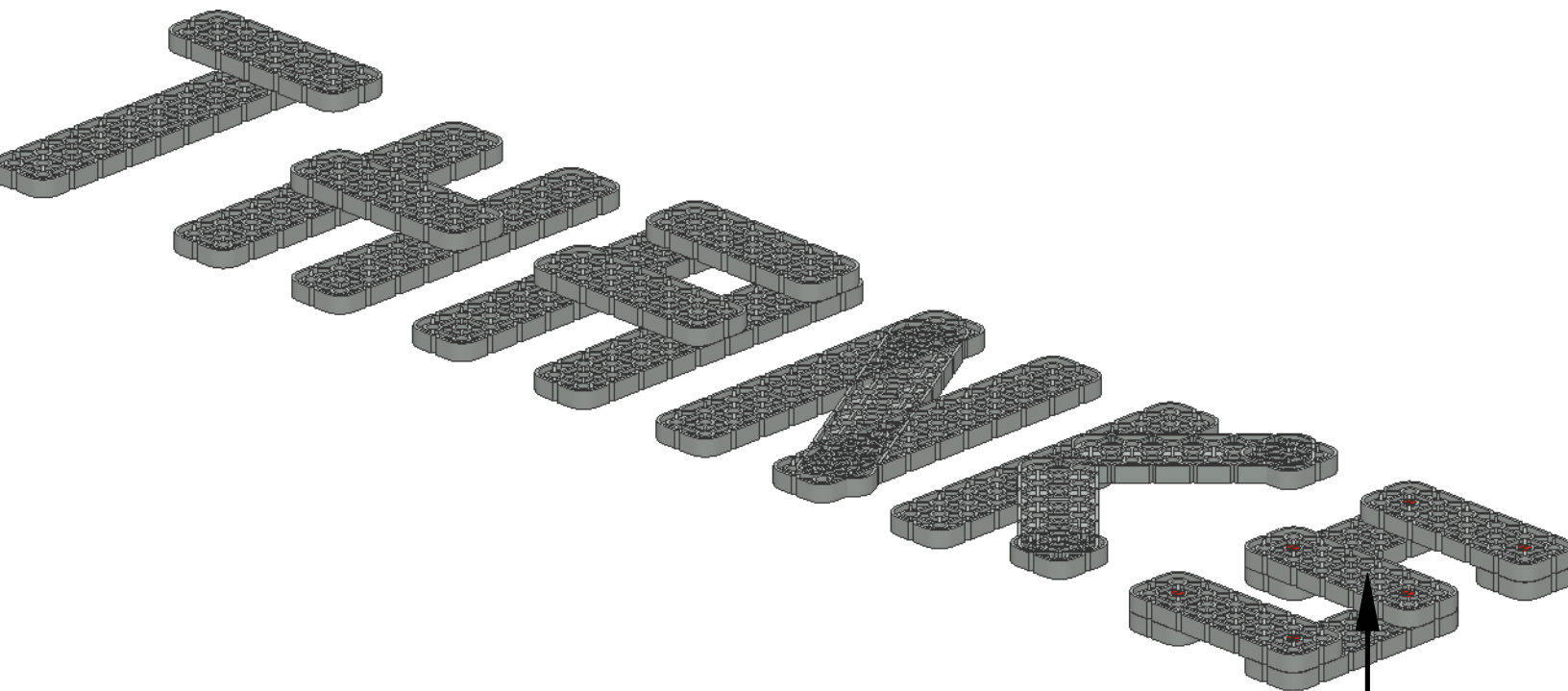
3



4



5



1 2x 2x

2 6x

3 3x

Detailed assembly steps for step 5, showing the placement of red Technic pins on the grey Technic bricks. Step 1 shows two long bricks and two short bricks. Step 2 shows six red pins being placed on the bricks. Step 3 shows three long bricks being placed to complete the 'S' shape.